

ARCADIA CUSTOM

SERIES 10000 MULTIFOLD DOOR (NON-HVHZ) (IMPACT)



ARCADIA CUSTOM
9280 E OLD VAIL RD,
TUCSON, AZ 85747

PH: (520) 284-2061 FX: (520) 349-1964

TITLE:
SERIES 10000 MULTIFOLD DOOR
(NON-HVHZ) (IMPACT)
GENERAL NOTES &
DESIGN PRESSURE

PREPARED BY:
BUILDING DROPS, INC.
398 E. DANIA BEACH BLVD., STE. 338
DANIA BEACH, FL 33004
PH: (954) 399-8478
FAX: (954) 744-4738
WEB: www.buildingdrops.com



GENERAL NOTES:

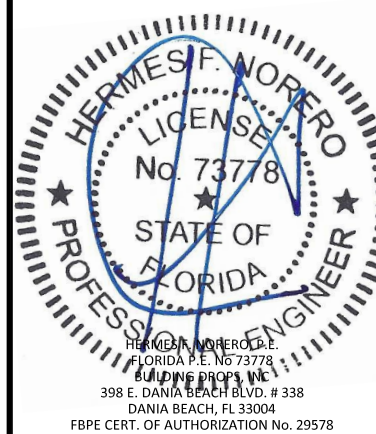
1. THE PRODUCT SHOWN HEREIN IS DESIGNED AND MANUFACTURED TO COMPLY WITH THE CURRENT FLORIDA BUILDING CODE (FBC), EXCLUDING HVHZ AND HAS BEEN EVALUATED ACCORDING TO THE FOLLOWING:
 - ASTM E283-04(12)
 - ASTM E330-14
 - ASTM E547-00(16)
 - ASTM E1886-13a
 - ASTM E1996-14a
2. ADEQUACY OF THE EXISTING STRUCTURAL CONCRETE/MASONRY AND 2X FRAMING AS A MAIN WIND FORCE RESISTING SYSTEM CAPABLE OF WITHSTANDING AND TRANSFERRING APPLIED PRODUCT LOADS TO THE FOUNDATION IS THE RESPONSIBILITY OF THE ENGINEER OR ARCHITECT OF RECORD FOR THE PROJECT OF INSTALLATION.
3. 1X AND 2X BUCKS (WHEN USED) SHALL BE DESIGNED AND ANCHORED TO PROPERLY TRANSFER ALL LOADS TO THE STRUCTURE. BUCK DESIGN AND INSTALLATION IS THE RESPONSIBILITY OF THE ENGINEER OR ARCHITECT OF RECORD FOR THE PROJECT OF INSTALLATION.
4. THE INSTALLATION DETAILS DESCRIBED HEREIN ARE GENERIC AND MAY NOT REFLECT ACTUAL CONDITIONS FOR A SPECIFIC SITE. IF SITE CONDITIONS CAUSE INSTALLATION TO DEVIATE FROM THE REQUIREMENTS DETAILED HEREIN, A LICENSED ENGINEER OR ARCHITECT SHALL PREPARE SITE SPECIFIC DOCUMENTS FOR USE WITH THIS DOCUMENT.
5. APPROVED IMPACT PROTECTIVE SYSTEM **IS NOT REQUIRED** ON THIS PRODUCT IN AREAS REQUIRING IMPACT RESISTANCE IN WIND ZONE 4 OR LESS.
6. DOOR FRAME MATERIAL: 6063-T5 ALUMINUM
7. GLASS MEETS THE REQUIREMENTS OF ASTM E 1300 GLASS CHARTS. SEE SHEET 8 FOR GLAZING DETAIL.
8. DESIGNATIONS "X" AND "O" STAND FOR THE FOLLOWING:
 - X: OPERABLE PANEL
 - O: FIXED PANEL

TABLE OF CONTENTS	
SHEET	SHEET DESCRIPTION
1	GENERAL NOTES & DESIGN PRESSURE
2	ELEVATION
3	DOOR OPEN CONDITION
4	ANCHOR LAYOUT
5	DESIGN PRESSURE TABLE
6	VERTICAL SECTIONS
7	HORIZONTAL SECTIONS
8	HORIZONTAL SECTIONS & GLAZING DETAIL
9	INSTALLATION NOTES & ANCHOR DETAILS

DESIGN PRESSURE RATING	
DESIGN PRESSURE	MISSILE IMPACT RATING
SEE SHEET 5	LARGE AND SMALL MISSILE IMPACT RESISTANT

REMARKS	BY	DATE

THE INSTALLATION DETAILS DESCRIBED HERE IN ARE GENERIC AND MAY NOT REFLECT ACTUAL CONDITIONS FOR A SPECIFIC SITE. IF SITE CONDITIONS CAUSE INSTALLATION TO DEVIATE FROM THE REQUIREMENTS DETAILED HEREIN, A LICENSED ENGINEER OR ARCHITECT SHALL PREPARE SITE SPECIFIC DOCUMENTS FOR USE WITH THIS DOCUMENT.



FL38490

DATE: **04.14.21**

DWG. BY: **AC** CHK. BY: **HFN**

SCALE: **NTS**

DWG. #: **ACWD010**

SHEET:

1

4/19/2021 11:24 AM
s:\projects\arcadia custom\fbc-21-0307 - fbc submittal - series 10000 aluminum multifold door\dwgs\arcwd010.dwg

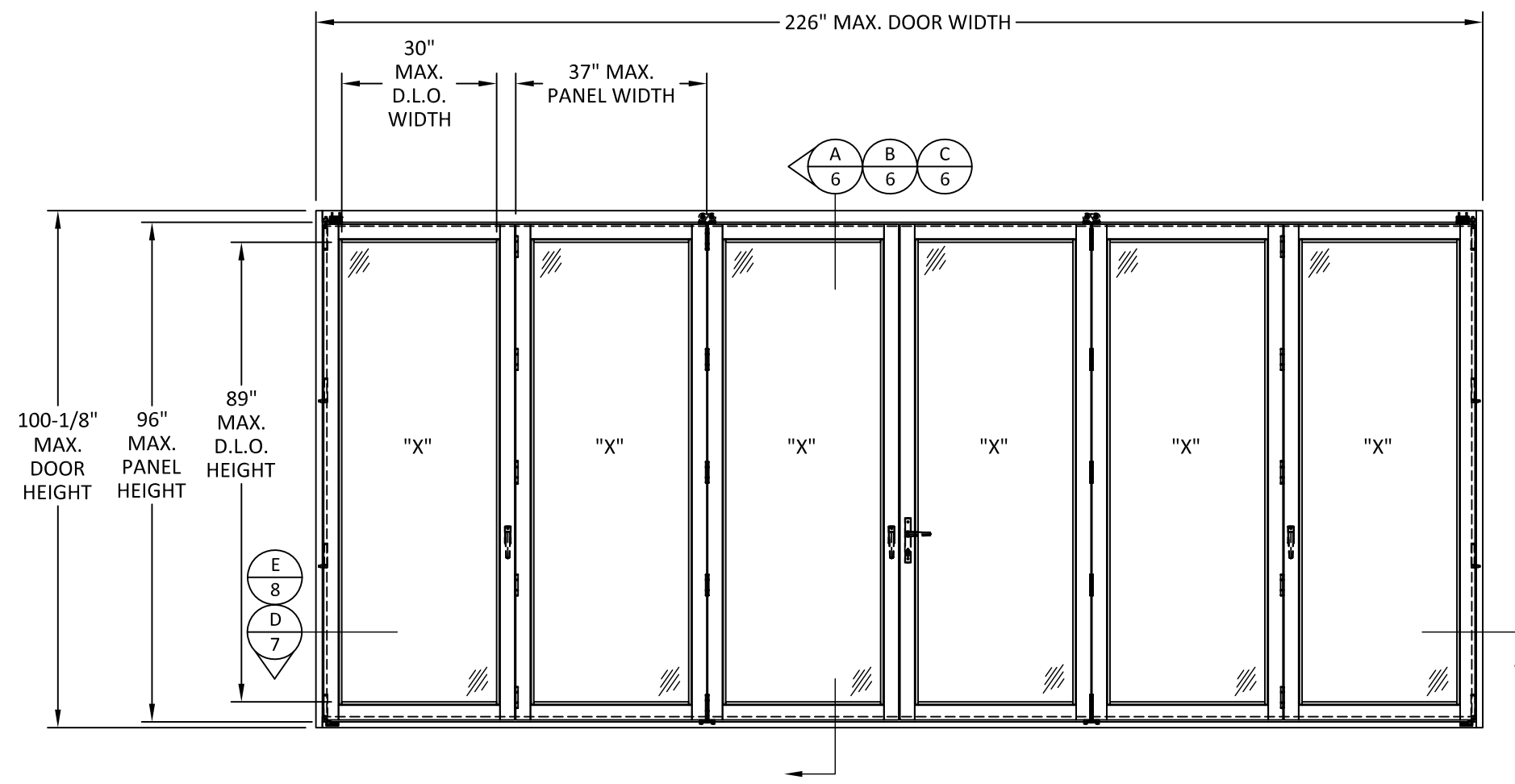


ARCADIA CUSTOM
9280 E OLD VAIL RD,
TUCSON, AZ 85747

PH: (520) 284-2061 FX: (520) 349-1964

TITLE: SERIES 10000 MULTIFOLD DOOR
(NON-HVHZ) (IMPACT)
ELEVATION

PREPARED BY:
BUILDING DROPS, INC.
398 E. DANIA BEACH BLVD., STE. 338
DANIA BEACH, FL 33004
PH: (954) 399-8478
FAX: (954) 744-4738
WEB: www.buildingdrops.com

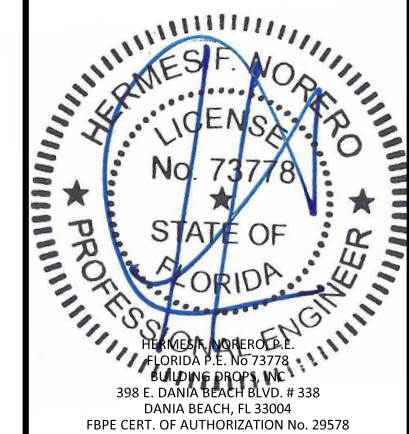


ELEVATION
EXTERIOR VIEW

NOTE:
APPROVED CONFIGURATIONS ARE AS FOLLOWS, SEE SHEET 5 FOR PANEL SIZES OPTIONS AND DESIGN PRESSURE:

- A. 2 PANEL - 2L, 2R, 1L 1R
- B. 3 PANEL - 3L, 3R, 2L 1R, 1L 2R
- C. 4 PANEL - 4L, 4R, 3L 1R, 1L 3R, 2L 2R
- D. 5 PANEL - 5L, 5R, 4L 1R, 1L 4R, 3L 2R, 2L 3R
- E. 6 PANEL - 6L, 6R, 5L 1R, 1L 5R 4L 2R, 2L 4R, 3L 3R

THE INSTALLATION DETAILS DESCRIBED HERE IN ARE GENERIC AND MAY NOT REFLECT ACTUAL CONDITIONS FOR A SPECIFIC SITE. IF SITE CONDITIONS CAUSE INSTALLATION TO DEVIATE FROM THE REQUIREMENTS DETAILED HEREIN, A LICENSED ENGINEER OR ARCHITECT SHALL PREPARE SITE SPECIFIC DOCUMENTS FOR USE WITH THIS DOCUMENT.



FL38490

DATE: 04.14.21

DWG. BY: AC
CHK. BY: HFN

SCALE: NTS

DWG. #: ACWD010

SHEET:

2

OF 9

4/19/2021 11:24 AM

s:\projects\arcadia custom\fb-c-21-0307 - fbc submittal - series 10000 aluminum multifold door\dwgs\arcwd010.dwg



ARCADIA CUSTOM
9280 E OLD VAIL RD,
TUCSON, AZ 85747

PH: (520) 284-2061 FX: (520) 349-1964

TITLE:
SERIES 10000 MULTIFOLD DOOR
(NON-HVHZ) (IMPACT)

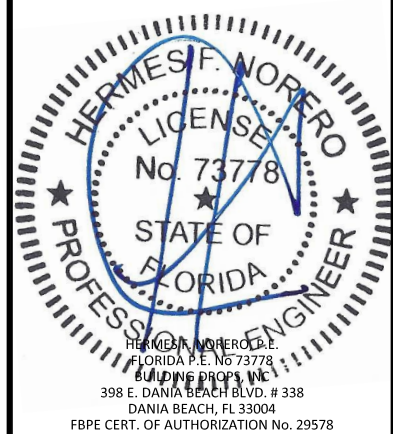
DOOR OPEN CONDITION

PREPARED BY:
BUILDING DROPS, INC.
398 E. DANIA BEACH BLVD., STE. 338
DANIA BEACH, FL 33004
PH: (954)399-8478
FAX: (954)744-4738
WEB: www.buildingdrops.com



REMARKS	BY	DATE

THE INSTALLATION DETAILS DESCRIBED HERE IN ARE GENERIC AND MAY NOT REFLECT ACTUAL CONDITIONS FOR A SPECIFIC SITE. IF SITE CONDITIONS CAUSE INSTALLATION TO DEVIATE FROM THE REQUIREMENTS DETAILED HEREIN, A LICENSED ENGINEER OR ARCHITECT SHALL PREPARE SITE SPECIFIC DOCUMENTS FOR USE WITH THIS DOCUMENT.



FL38490

DATE: 04.14.21

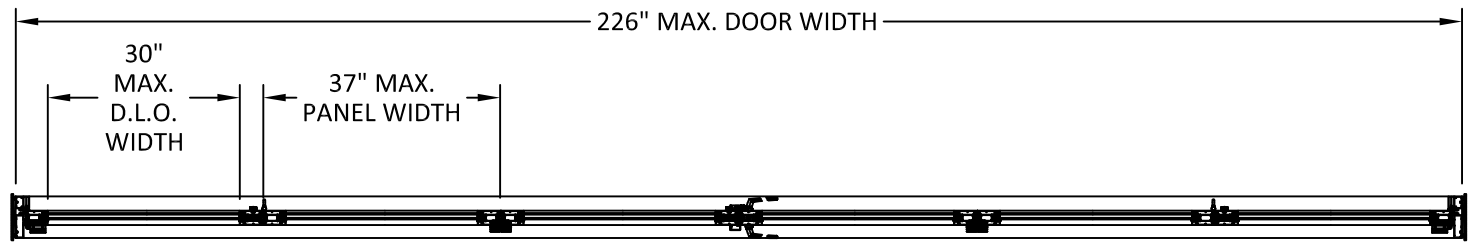
DWG. BY: AC CHK. BY: HFN

SCALE: NTS

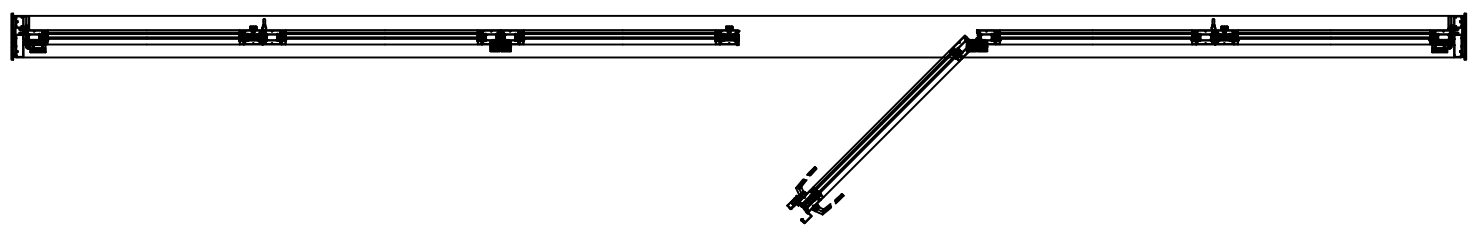
DWG. #: ACWD010

SHEET: 3

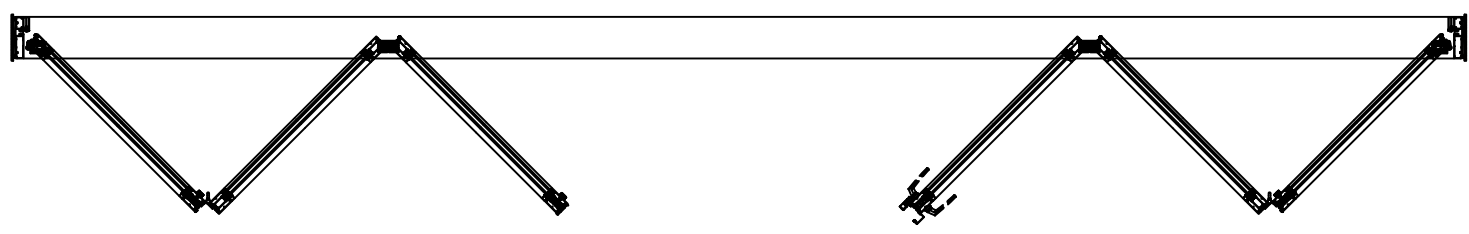
OF 9



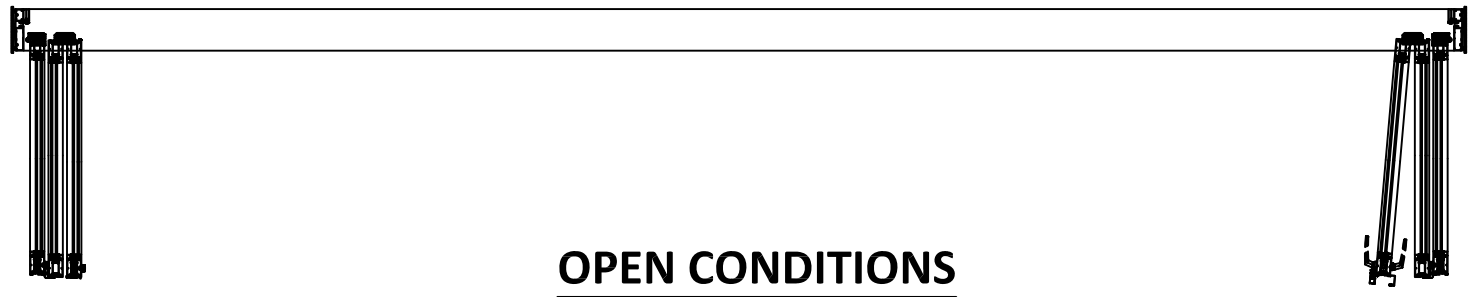
OPEN CONDITIONS
FULLY CLOSED



OPEN CONDITIONS
SWING DOOR OPEN



OPEN CONDITIONS
PARTIALLY OPEN



OPEN CONDITIONS
FULLY OPEN

4/19/2021 11:24 AM

s:\projects\arcadia custom\fbc-21-0307 - fbc submittal - series 10000 aluminum multifold door\dwgs\acwd010.dwg



ARCADIA CUSTOM
9280 E OLD VAIL RD,
TUCSON, AZ 85747

PH: (520) 284-2061 FX: (520) 349-1964

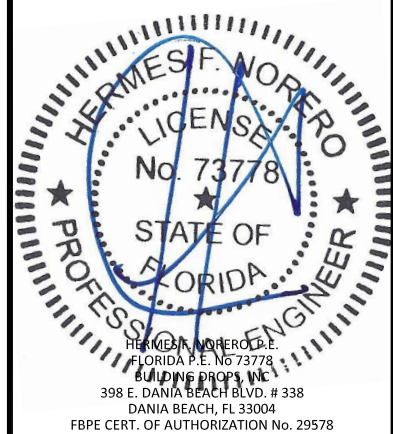
TITLE:
SERIES 10000 MULTIFOLD DOOR
(NON-HVHZ) (IMPACT)
ANCHOR LAYOUT

PREPARED BY:
BUILDING DROPS, INC.
398 E. DANIA BEACH BLVD., STE. 338
DANIA BEACH, FL 33004
PH: (954) 399-8478
FAX: (954) 744-4738
WEB: www.buildingdrops.com



REMARKS	BY	DATE

THE INSTALLATION DETAILS DESCRIBED HEREIN ARE GENERIC AND MAY NOT REFLECT ACTUAL CONDITIONS FOR A SPECIFIC SITE. IF SITE CONDITIONS CAUSE INSTALLATION TO DEVIATE FROM THE REQUIREMENTS DETAILED HEREIN, A LICENSED ENGINEER OR ARCHITECT SHALL PREPARE SITE SPECIFIC DOCUMENTS FOR USE WITH THIS DOCUMENT.



FL38490

DATE: 04.14.21

DWG. BY: AC CHK. BY: HFN

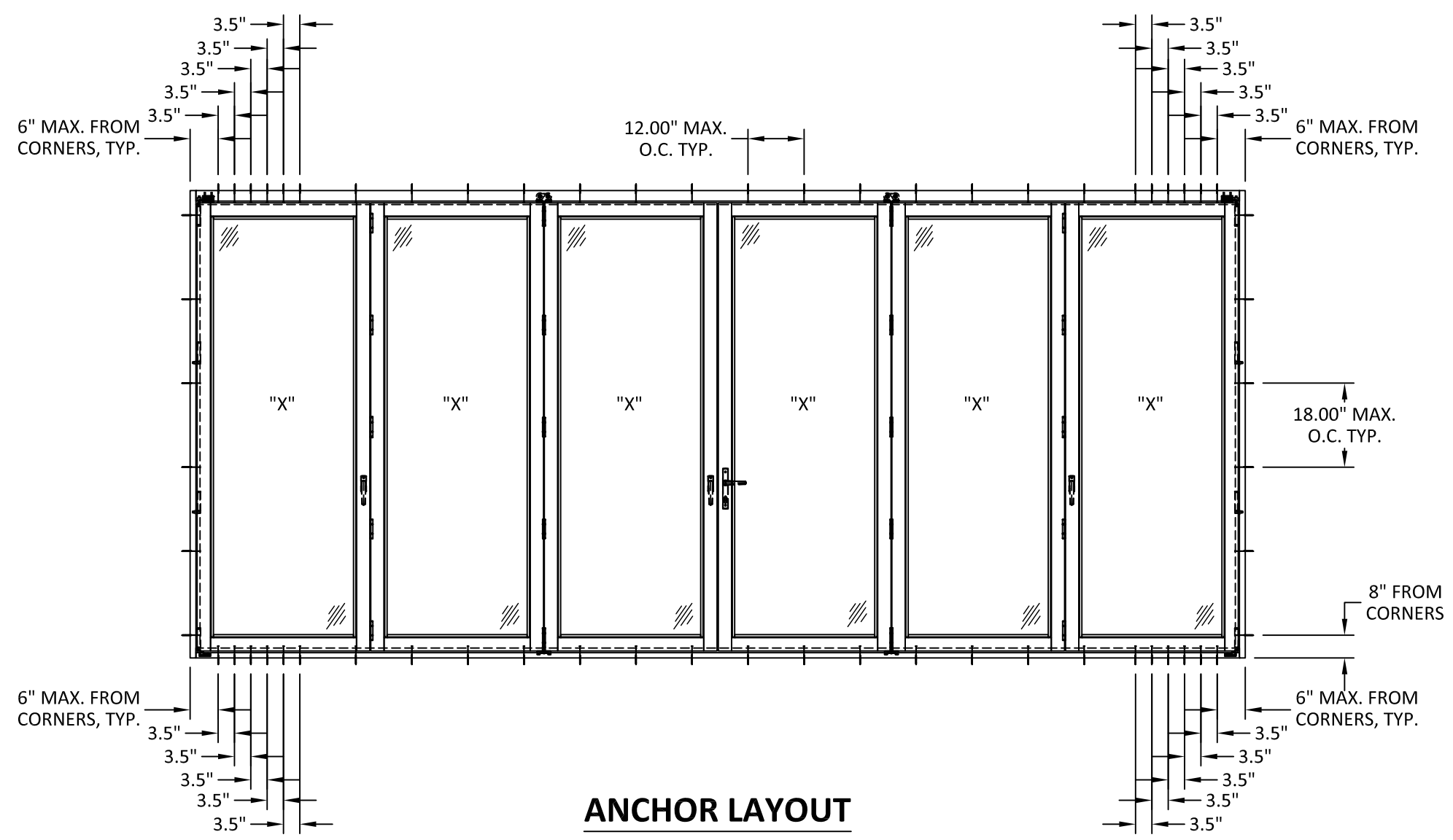
SCALE: NTS

DWG. #: ACWD010

SHEET:

4

OF 9



ANCHOR LAYOUT

4/19/2021 11:24 AM

s:\projects\arcadia custom\fbc-21-0307 - fbc submittal - series 10000 aluminum multifold door\dwgs\arcwd010.dwg

DESIGN PRESSURE TABLE

COMPARATIVE ANALYSIS

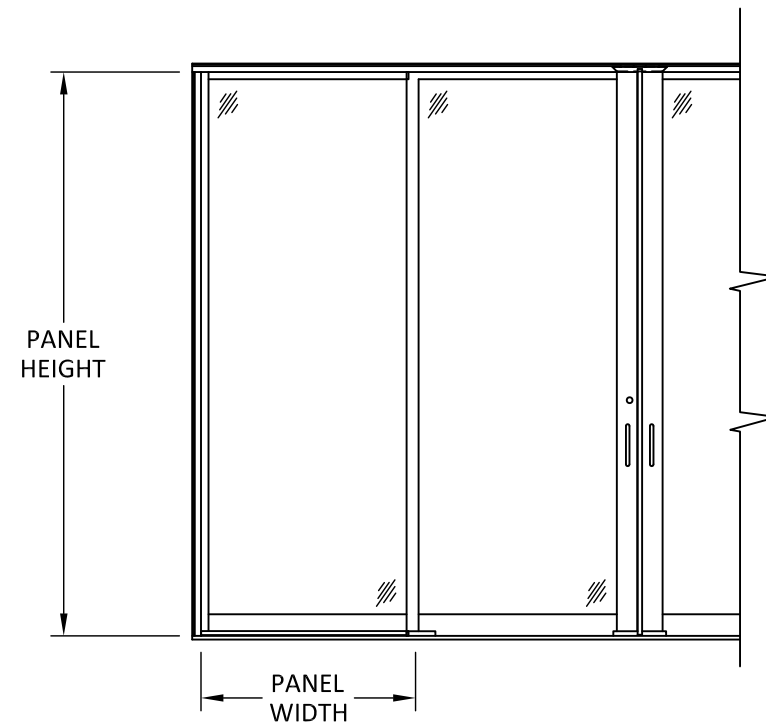


ARCADIA CUSTOM
9280 E OLD VAIL RD,
TUCSON, AZ 85747

PH: (520) 284-2061 FX: (520) 349-1964

		DESIGN PRESSURE TABLE (PSF)												
		NOMINAL PANEL WIDTH (INCHES)												
		24	27	30	33	37	39	42	45	48	51	54	57	
PANEL HEIGHT (INCHES)	60	60.0	60.0	60.0	60.0	60.0	60.0	60.0	55.3	51.2	47.7	44.7	42.0	
	63	60.0	60.0	60.0	60.0	60.0	60.0	60.0	60.0	55.3	51.2	47.7	44.7	-
	66	60.0	60.0	60.0	60.0	60.0	60.0	60.0	60.0	55.3	51.2	47.7	-	-
	69	60.0	60.0	60.0	60.0	60.0	60.0	60.0	60.0	55.3	51.2	-	-	-
	72	60.0	60.0	60.0	60.0	60.0	60.0	60.0	60.0	55.3	51.2	-	-	-
	75	60.0	60.0	60.0	60.0	60.0	60.0	60.0	60.0	55.3	-	-	-	-
	78	60.0	60.0	60.0	60.0	60.0	60.0	60.0	60.0	-	-	-	-	-
	81	60.0	60.0	60.0	60.0	60.0	60.0	60.0	60.0	-	-	-	-	-
	84	60.0	60.0	60.0	60.0	60.0	60.0	60.0	-	-	-	-	-	-
	87	60.0	60.0	60.0	60.0	60.0	60.0	60.0	-	-	-	-	-	-
	89	60.0	60.0	60.0	60.0	60.0	60.0	60.0	-	-	-	-	-	-
	93	60.0	60.0	60.0	60.0	60.0	60.0	-	-	-	-	-	-	-
	96	60.0	60.0	60.0	60.0	60.0	60.0	-	-	-	-	-	-	-
	99	60.0	60.0	60.0	60.0	60.0	-	-	-	-	-	-	-	-
	102	60.0	60.0	60.0	60.0	55.1	-	-	-	-	-	-	-	-
	105	60.0	60.0	60.0	55.0	50.4	-	-	-	-	-	-	-	-
	108	60.0	55.8	50.5	-	-	-	-	-	-	-	-	-	-
	111	57.4	51.3	46.4	-	-	-	-	-	-	-	-	-	-
	114	52.9	47.3	42.8	-	-	-	-	-	-	-	-	-	-
	117	48.9	43.7	39.5	-	-	-	-	-	-	-	-	-	-
120	45.3	40.4	-	-	-	-	-	-	-	-	-	-	-	

NOTE: PRODUCTS INSTALLED IN WIND ZONE 4 ARE LIMITED TO THE MAXIMUM DESIGN PRESSURE +/- 60 PSF AND THE PANEL SIZES SHOWN ON PAGE 2 OR SMALLER.



PANEL DIMENSIONS

TITLE: SERIES 10000 MULTIFOLD DOOR (NON-HVHZ) (IMPACT)
DESIGN PRESSURE TABLE

PREPARED BY: BUILDING DROPS, INC.
398 E. DANIA BEACH BLVD., STE. 338
DANIA BEACH, FL 33004
PH: (954) 399-8478
FAX: (954) 744-4738
WEB: www.buildingdrops.com

REMARKS	BY	DATE

THE INSTALLATION DETAILS DESCRIBED HERE IN ARE GENERIC AND MAY NOT REFLECT ACTUAL CONDITIONS FOR A SPECIFIC SITE. IF SITE CONDITIONS CAUSE INSTALLATION TO DEVIATE FROM THE REQUIREMENTS DETAILED HEREIN, A LICENSED ENGINEER OR ARCHITECT SHALL PREPARE SITE SPECIFIC DOCUMENTS FOR USE WITH THIS DOCUMENT.

HERMES F. NORERO
LICENSE
No. 73778
STATE OF
FLORIDA
PROFESSIONAL ENGINEER

HERMES F. NORERO, P.E.
FLORIDA P.E. No. 73778
BUILDING DROPS, INC.
398 E. DANIA BEACH BLVD. # 338
DANIA BEACH, FL 33004
FBPE CERT. OF AUTHORIZATION No. 29578

FL38490

DATE:	04.14.21
DWG. BY:	AC
CHK. BY:	HFN
SCALE:	NTS
DWG. #:	ACWD010
SHEET:	5

4/19/2021 11:24 AM

s:\projects\arcadia custom\fbce-21-0307 - fbc submittal - series 10000 aluminum multifold door\dwgs\acwd010.dwg

TITLE:
SERIES 10000 MULTIFOLD DOOR
(NON-HVHZ) (IMPACT)

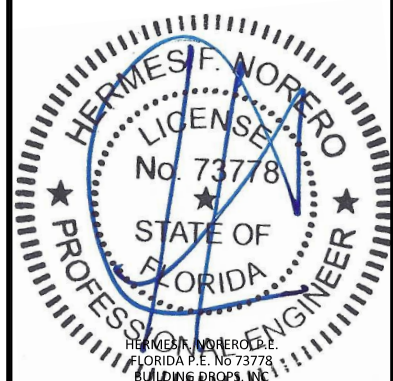
VERTICAL SECTIONS

PREPARED BY:
BUILDING DROPS, INC.
398 E. DANIA BEACH BLVD., STE. 338
DANIA BEACH, FL 33004
PH: (954) 399-8478
FAX: (954) 744-4738
WEB: www.buildingdrops.com



REMARKS	BY	DATE

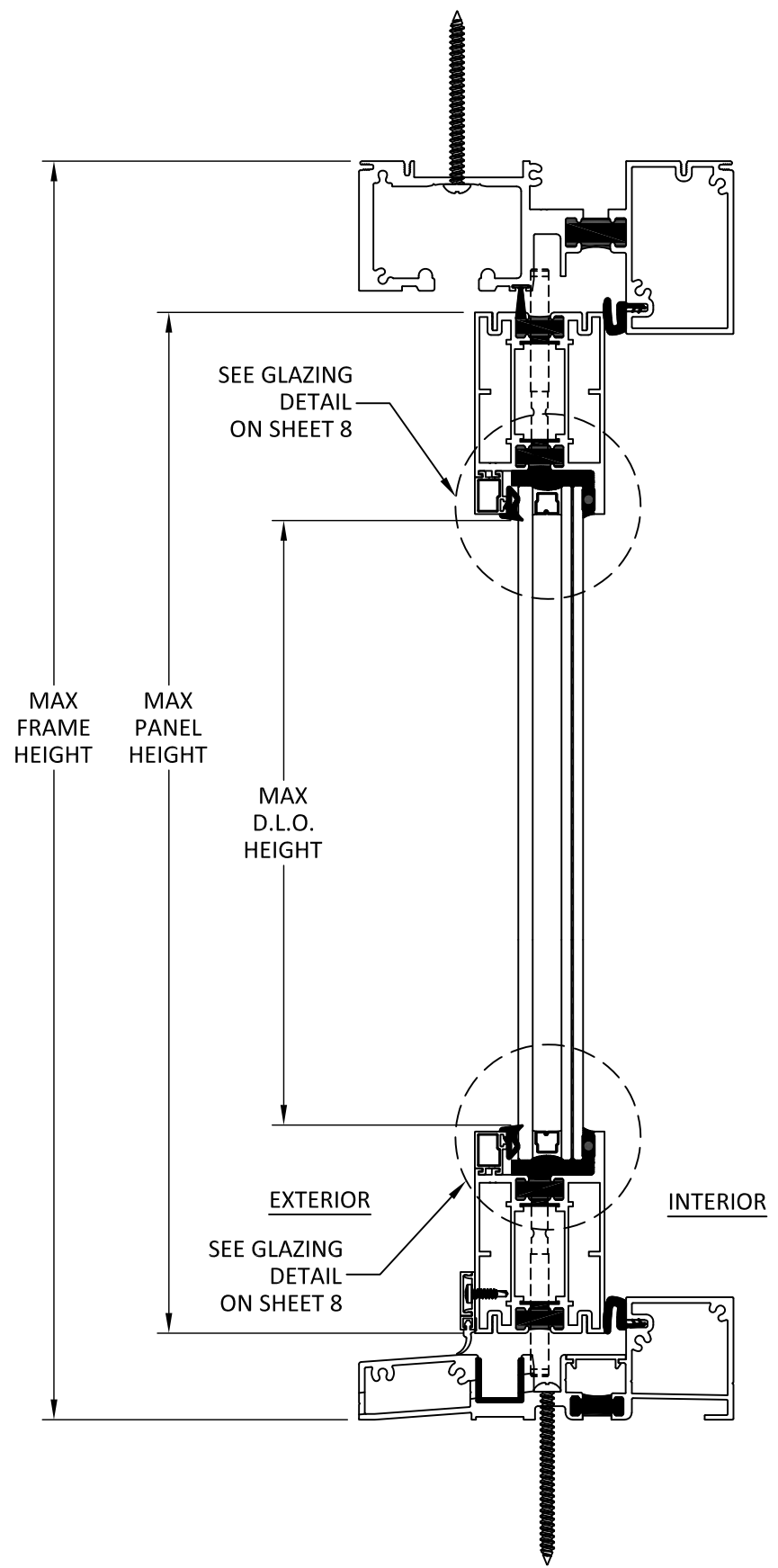
THE INSTALLATION DETAILS DESCRIBED HERE IN ARE GENERIC AND MAY NOT REFLECT ACTUAL CONDITIONS FOR A SPECIFIC SITE. IF SITE CONDITIONS CAUSE INSTALLATION TO DEVIATE FROM THE REQUIREMENTS DETAILED HEREIN, A LICENSED ENGINEER OR ARCHITECT SHALL PREPARE SITE SPECIFIC DOCUMENTS FOR USE WITH THIS DOCUMENT.



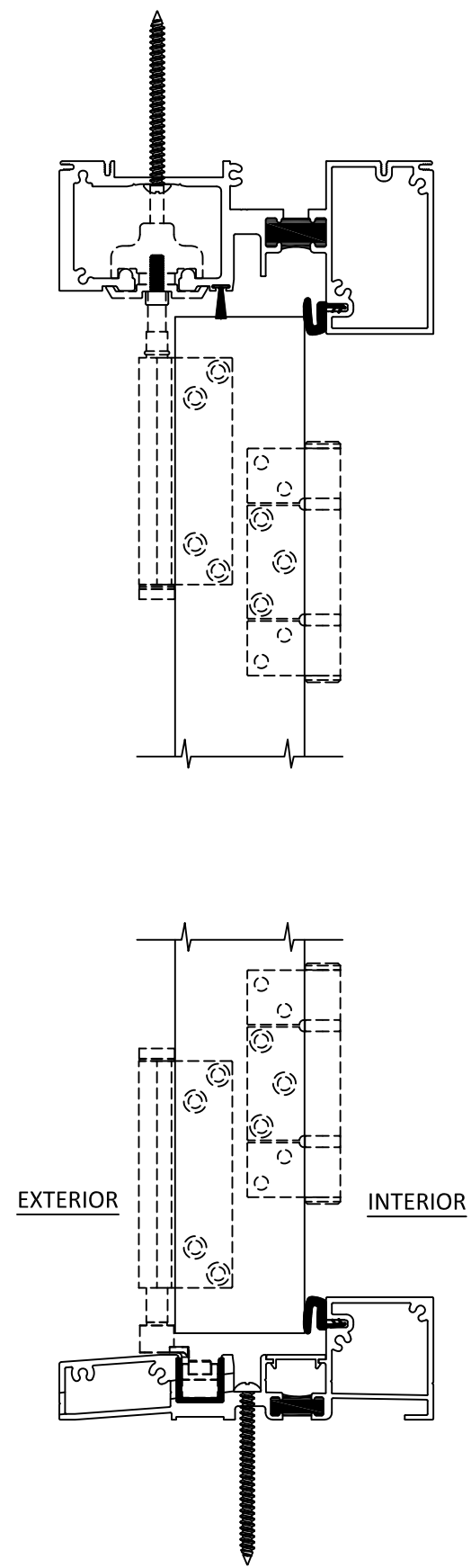
HERMES F. NORERO P.E.
FLORIDA P.E. No. 73778
BUILDING DROPS, INC.
398 E. DANIA BEACH BLVD. # 338
DANIA BEACH, FL 33004
FBPE CERT. OF AUTHORIZATION No. 29578

FL38490

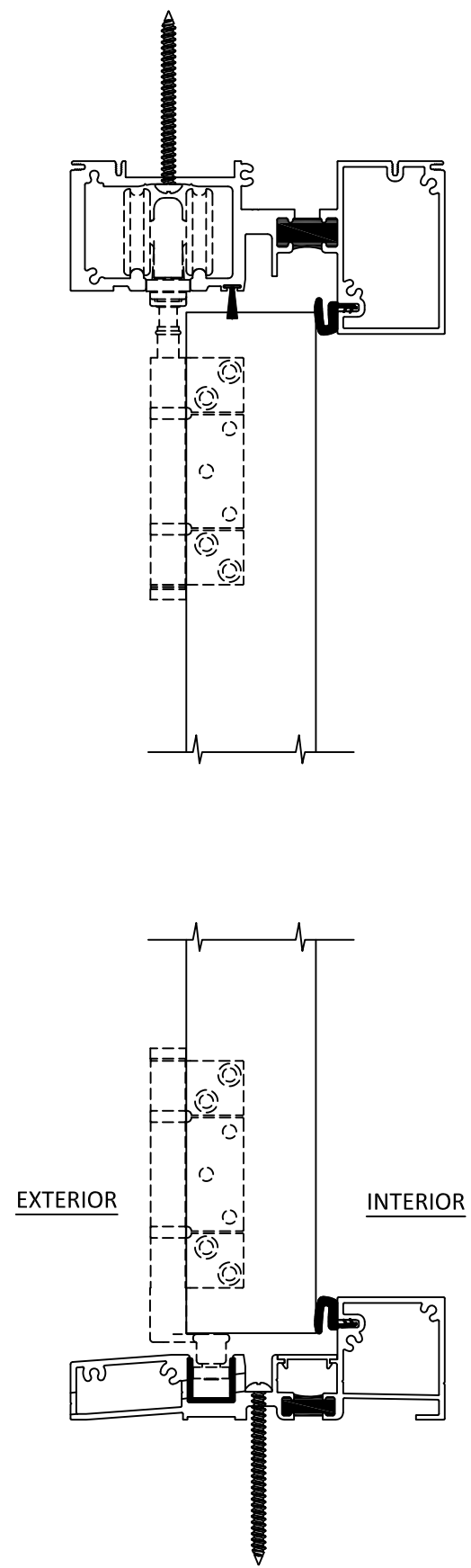
DATE:	04.14.21
DWG. BY:	AC
CHK. BY:	HFN
SCALE:	NTS
DWG. #:	ACWD010
SHEET:	6



A
6 VERTICAL SECTION
MULTIFOLD DOOR



B
6 VERTICAL SECTION
ALTERNATE HARDWARE



C
6 VERTICAL SECTION
ALTERNATE HARDWARE

4/19/2021 11:24 AM

s:\projects\arcadia custom\fb-c-21-0307 - fbc submittal - series 10000 aluminum multifold door\dwgs\acwd010.dwg

TITLE:
SERIES 10000 MULTIFOLD DOOR
(NON-HVHZ) (IMPACT)

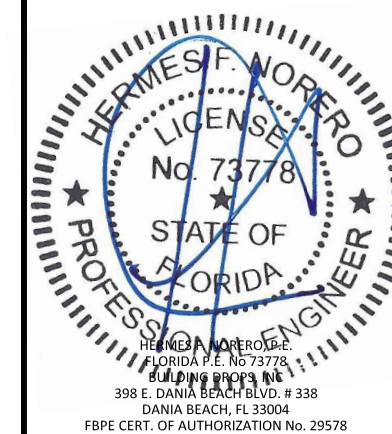
HORIZONTAL SECTIONS

PREPARED BY:
BUILDING DROPS, INC.
398 E. DANIA BEACH BLVD., STE. 338
DANIA BEACH, FL 33004
PH: (954) 395-8478
FAX: (954) 744-4738
WEB: www.buildingdrops.com



REMARKS	BY	DATE

THE INSTALLATION DETAILS DESCRIBED HERE IN ARE GENERIC AND MAY NOT REFLECT ACTUAL CONDITIONS FOR A SPECIFIC SITE. IF SITE CONDITIONS CAUSE INSTALLATION TO DEVIATE FROM THE REQUIREMENTS DETAILED HEREIN, A LICENSED ENGINEER OR ARCHITECT SHALL PREPARE SITE SPECIFIC DOCUMENTS FOR USE WITH THIS DOCUMENT.



FL38490

DATE: 04.14.21

DWG. BY: AC CHK. BY: HFN

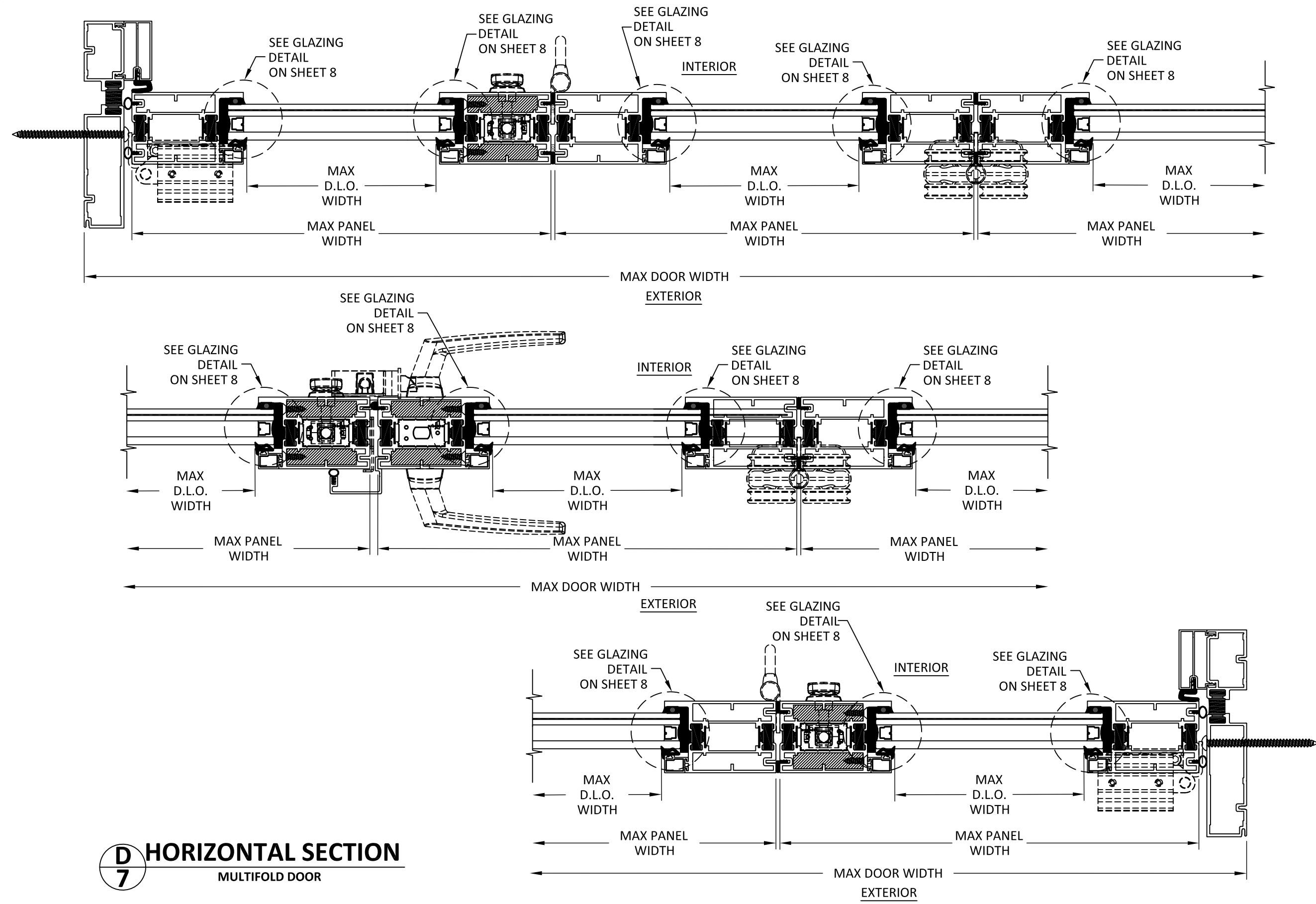
SCALE: NTS

DWG. #: ACWD010

SHEET:

7

OF 9



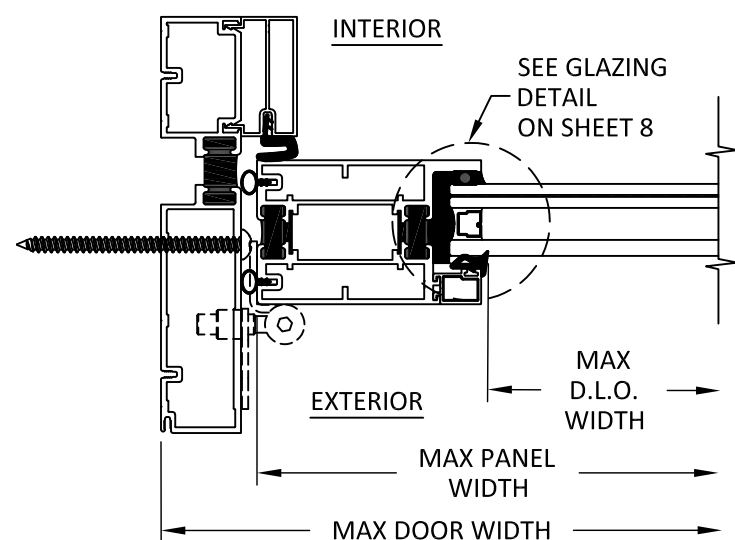
D HORIZONTAL SECTION
7 MULTIFOLD DOOR

4/19/2021 11:24 AM

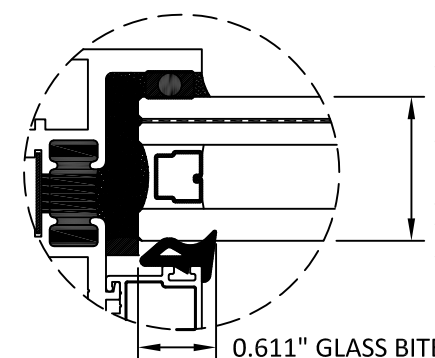
s:\projects\arcadia custom\fb-c-21-0307 -fb-c submittal -series 10000 aluminum multifold door\dwgs\acwd010.dwg

TITLE:
**SERIES 10000 MULTIFOLD DOOR
(NON-HVHZ) (IMPACT)
HORIZONTAL SECTION &
GLAZING DETAIL**

PREPARED BY:
BUILDING DROPS, INC.
398 E. DANIA BEACH BLVD., STE. 338
DANIA BEACH, FL 33004
PH: (954) 395-8478
FAX: (954) 744-4738
WEB: www.buildingdrops.com



E
8 **HORIZONTAL SECTION**
OPTIONAL PIVOT JAMB LEFT



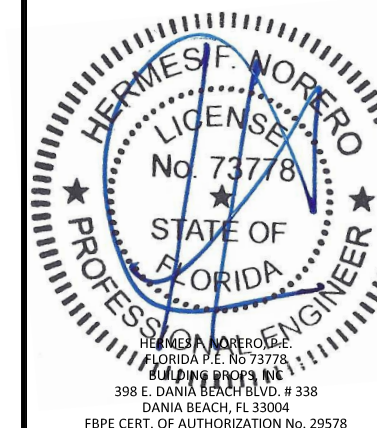
1-1/8" O.A. INSULATED GLASS
CONSISTING OF:
3/16" CLEAR HEAT STRENGTHENED GLASS,
0.090" SENTRYGLAS BY KURARAY,
3/16" CLEAR HEAT STRENGTHENED GLASS,
1/2" ALUMINUM SPACER,
1/4" CLEAR TEMPERED GLASS

GLAZING DETAIL

GLAZING NOTES:

1. GLASS TYPE AND THICKNESS SHALL COMPLY WITH ASTM E1300 REQUIREMENTS AS WELL AS APPLICABLE SAFETY GLAZING REQUIREMENTS PER THE FBC. THICKNESS, TEMPER, AND SAFETY GLAZING REQUIREMENTS SHALL BE REVIEWED ON A SITE SPECIFIC BASIS.
2. SETTING BLOCK DUROMETER HARDNESS OF 70-90 (SHORE A) AS REFERENCED IN FBC CHAPTER 24.
3. SETTING BLOCKS TO BE LOCATED AT 1/4 SPAN LENGTH FOR GLASS WIDER THAN 36" AS PER FBC CHAPTER 24.
4. D.L.O. AND DESIGN PRESSURES MAY NOT EXCEED MAX VALUES IN GLASS CHARTS.

THE INSTALLATION DETAILS DESCRIBED HERE IN ARE GENERIC AND MAY NOT REFLECT ACTUAL CONDITIONS FOR A SPECIFIC SITE. IF SITE CONDITIONS CAUSE INSTALLATION TO DEVIATE FROM THE REQUIREMENTS DETAILED HEREIN, A LICENSED ENGINEER OR ARCHITECT SHALL PREPARE SITE SPECIFIC DOCUMENTS FOR USE WITH THIS DOCUMENT.



FL38490

DATE: **04.14.21**

DWG. BY:
AC

CHK. BY:
HFN

SCALE: **NTS**

DWG. #: **ACWD010**

SHEET:

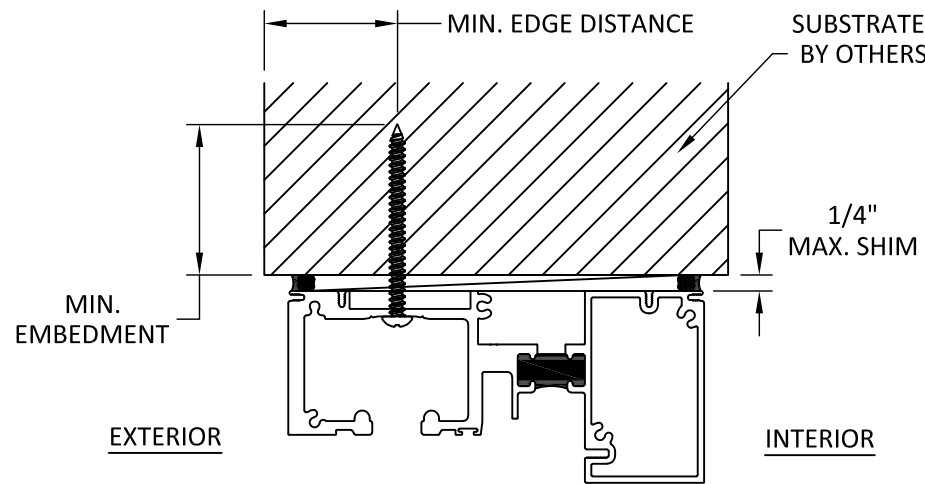
8

TITLE:
SERIES 10000 MULTIFOLD DOOR
(NON-HVHZ) (IMPACT)

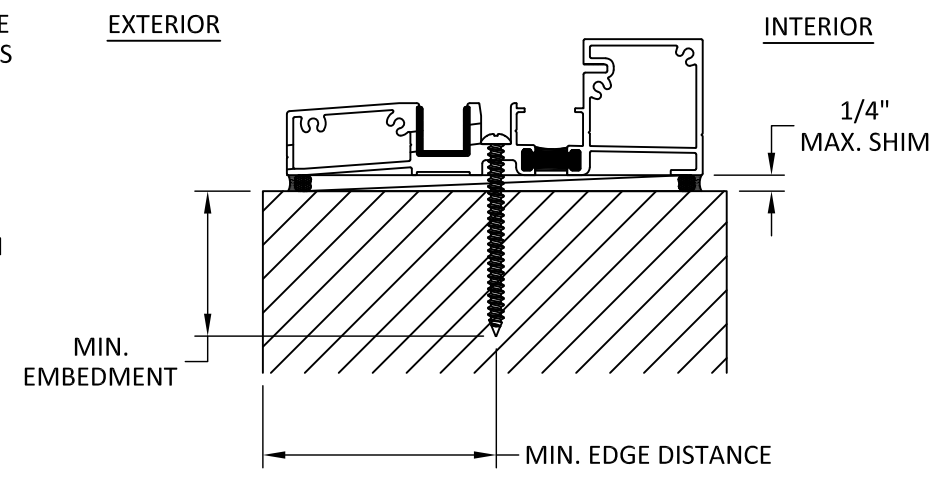
INSTALLATION NOTES & ANCHOR DETAILS

PREPARED BY:
BUILDING DROPS, INC.

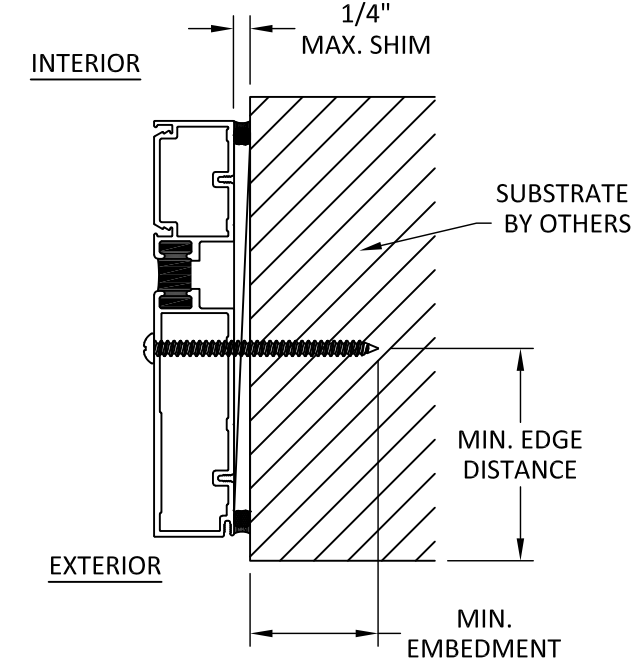
398 E. DANIA BEACH BLVD., STE. 338
DANIA BEACH, FL 33004
PH: (954) 399-8478
FAX: (954) 744-4738
WEB: www.buildingdrops.com



F
9 ANCHOR DETAIL
AT HEAD



G
9 ANCHOR DETAIL
AT SILL



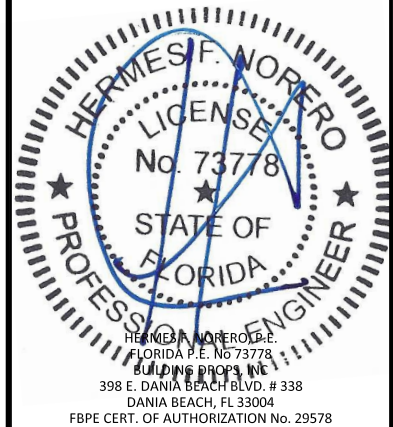
H
9 ANCHOR DETAIL
AT JAMB

INSTALLATION NOTES:

- ONE (1) INSTALLATION ANCHOR IS REQUIRED AT EACH ANCHOR LOCATION SHOWN ON SHEET 4 UNLESS OTHERWISE SHOWN.
- THE NUMBER OF INSTALLATION ANCHORS DEPICTED IS THE MINIMUM NUMBER OF ANCHORS TO BE USED FOR PRODUCT INSTALLATION OF THE MAXIMUM SIZE LISTED.
- INSTALL INDIVIDUAL INSTALLATION ANCHORS WITHIN A TOLERANCE OF $\pm 1/2$ INCH THE DEPICTED LOCATION & SPACING IN THE ANCHOR LAYOUT DETAILS (I.E., WITHOUT CONSIDERATION OF TOLERANCES). TOLERANCES ARE NOT CUMULATIVE FROM ONE INSTALLATION ANCHOR TO THE NEXT.
- SHIM AS REQUIRED AT EACH INSTALLATION ANCHOR WITH LOAD BEARING SHIM(S). MAXIMUM ALLOWABLE SHIM STACK TO BE 1/4 INCH. SHIM WHERE SPACE OF 1/16 INCH OR GREATER OCCURS. SHIM(S) SHALL BE CONSTRUCTED OF HIGH DENSITY PLASTIC OR BETTER.
- MINIMUM EMBEDMENT AND EDGE DISTANCE EXCLUDE WALL FINISHES, INCLUDING BUT NOT LIMITED TO STUCCO, FOAM, BRICK VENEER, AND SIDING.
- INSTALLATION ANCHORS AND ASSOCIATED HARDWARE MUST BE MADE OF CORROSION RESISTANT MATERIAL OR HAVE A CORROSION RESISTANT COATING.
- FOR HOLLOW BLOCK AND GROUT FILLED BLOCK, DO NOT INSTALL INSTALLATION ANCHORS INTO MORTAR JOINTS. EDGE DISTANCE IS MEASURED FROM FREE EDGE OF BLOCK OR EDGE OF MORTAR JOINT INTO FACE SHELL OF BLOCK.
- INSTALLATION ANCHORS SHALL BE INSTALLED IN ACCORDANCE WITH ANCHOR MANUFACTURER'S INSTALLATION INSTRUCTIONS, AND ANCHORS SHALL NOT BE USED IN SUBSTRATES WITH STRENGTHS LESS THAN THE MINIMUM STRENGTH SPECIFIED BY THE ANCHOR MANUFACTURER.

ANCHOR SCHEDULE					
METHOD	SUBSTRATE	ANCHOR SCHEDULE	MIN EMBEDMENT	MIN. EDGE DISTANCE	MIN. SPACING
THROUGH FRAME	WOOD: MIN. SG = 0.55	#14 WOOD SCREW	1.5"	0.75"	N/A
	METAL: 18 GAUGE Steel, MIN. Fy = 33KSI	1/4" TEK SCREW	3 THREADS MIN PENETRATION BEYOND METAL	0.50"	N/A
	CONCRETE: MIN. f _c = 3000 PSI	1/4" ITW TAPCON FLATHEAD	1.25"	2.0"	3.0"
	MASONRY: CMU MIN. 2000 PSI	1/4" ITW TAPCON FLATHEAD	1.00"	2.0"	3.0"

THE INSTALLATION DETAILS DESCRIBED HERE IN ARE GENERIC AND MAY NOT REFLECT ACTUAL CONDITIONS FOR A SPECIFIC SITE. IF SITE CONDITIONS CAUSE INSTALLATION TO DEVIATE FROM THE REQUIREMENTS DETAILED HEREIN, A LICENSED ENGINEER OR ARCHITECT SHALL PREPARE SITE SPECIFIC DOCUMENTS FOR USE WITH THIS DOCUMENT.



FL38490

DATE: **04.14.21**

DWG. BY: **AC** CHK. BY: **HFN**

SCALE: **NTS**

DWG. #: **ACWD010**

SHEET:

4/19/2021 11:24 AM s:\projects\arcadia custom\fbc-21-0307 - fbc submittal - series 10000 aluminum multifold door\dwg\acwd010.dwg